



L.E.D. BARBECUE LIGHTS
ASSEMBLY, OPERATING, AND CARE MANUAL



Model# 85-1979-4 (G430-0014-01)
Limited 1 Year Warranty

Fits Centro 2800, 3800, 4800, 5800, and 6800 barbecues only.
Batteries not included

Read and save this manual for future reference.
For product inquiries, parts, warranty, and troubleshooting support,
please call 1-877-707-5463

Please visit us on the web at
www.centrobbqs.com

▲ CAUTION!

Read and follow all safety statements, assembly instructions, and use and care directions before attempting to operate product.

▲ ATTENTION!

- **DO NOT** operate the BBQ grill lights when the BBQ lid is closed.
- **DO NOT** attempt to repair or alter the product for any assumed defect.
- **DO** remove BBQ grill lights when storing the BBQ for long periods of time
- **DO** remove the batteries from the BBQ grill light compartment during storage periods.
- **DO** avoid water and environmental damage by removing the BBQ lights during harsh weather.

WARRANTY

1 Year Limited Warranty

These Centro® L.E.D. Barbecue Lights carry a 1 year limited warranty against defects in manufacturing workmanship. This Limited Warranty is nontransferable and becomes void if used for commercial or rental purposes. This warranty applies only when grill is used in Canada. The bill of sale or a copy will be required together with the serial number and model number when making any warranty claims from Trileaf Distribution. Trileaf Distribution reserves the right to have its representatives inspect any product or part prior to honoring any warranty claim. Trileaf Distribution shall not be liable for any transportation charges, shipping & handling charges or labor cost.

This warranty is for replacement of defective parts only. The Manufacturer will not be responsible for incidental or consequential damages or any labor cost. Inability to provide proof of purchase, or if warranty coverage has expired, any request for parts will be subject to parts, shipping and handling fees. This limited warranty does not cover damage due to scratching of painted surfaces nor does it cover corrosion or discoloration due to misuse, lack of maintenance, grease fires, hostile environments, accidents, alterations, abuse or neglect, improper installation and failure to read and/or abide by any product warnings. This limited warranty does not cover any damage sustained during removal or storage of this product.

1 Year Limited Warranty

Trileaf Distributions Ltd. are not responsible for any product damages sustained during moving, storage, assembling or cleaning. Unless otherwise noted, as in above limitations, all components are covered for a period of one year.

Important: Should you have difficulty operating this product, or have a part that has become defective within the stated warranty period, **DO NOT RETURN TO STORE.** STORES DO NOT STOCK REPLACEMENT PARTS AND ARE UNABLE TO HELP WITH TROUBLESHOOTING ADVICE. PLEASE CALL 1-877-707-5463. Have your Proof of purchase available so that the customer support agent can be of assistance.

Purchaser: By accepting delivery of this Product the purchaser, hereby accepts the foregoing and expressly waives any other remedy and damages, direct, indirect, and consequential.

ASSEMBLY INSTRUCTIONS

These L.E.D. grill lights fit the Centro 2800, 3800, 4800, 5800, and 6800 barbecues only. This product attaches to the barbecue handle to illuminate food while cooking.

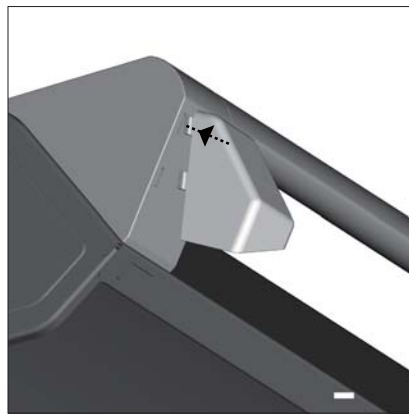
To Assemble:

Attention: The grill handle lights are labeled with an "L", indicating left handle light and "R", indicating the right handle light. Locate this letter just below the lens.

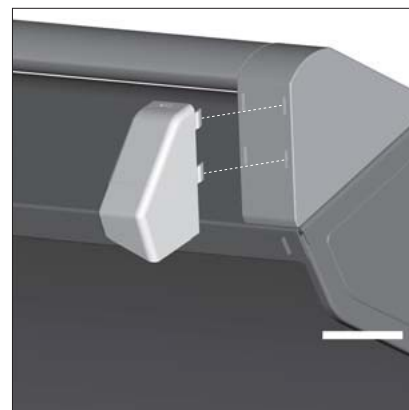
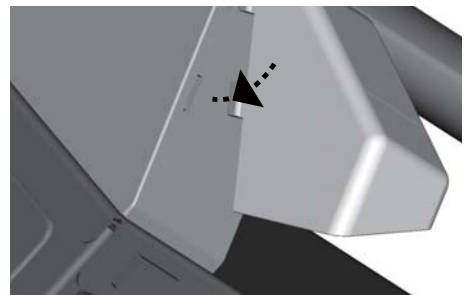
1. Open lid. Align the top 2 prongs on the left grill handle light with the top two holes on the left lid handle end cap, and press firmly into position.

2. Follow immediately by pressing in the lower two prongs of the grill handle light to lock in position.

Repeat the steps above to assemble the right grill handle light to the right lid handle end cap.



Left Grill Light. Part# G430-0014-02

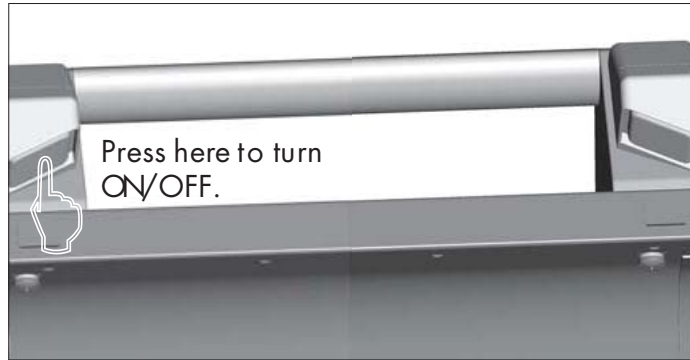


Right Grill Light. Part# G430-0015-02

IMPORTANT!: Ensure that the grill light with the letter "L" is assembled on the left side of the handle bracket and the grill light with the letter "R" is assembled on the right side.

OPERATING INSTRUCTIONS

Press on the underside surface of the grill lights to illuminate. Press again to turn grill lights off.



REPLACING THE BATTERIES



Three AAA batteries are located in each grill handle light. To replace the batteries, push the battery cover upward to reveal the battery compartment. Position the three batteries according to the "+" and "-" markings on the inside of the battery compartment.